



DMX SPLITTER 8R User Manual

LED indicators

Each channel comes with one green signal indicator. When the unit is powered on the red power indicator is lit up. When the unit is receiving DMX signal, all green signal indicators light on. This is useful to immediately identify a bad output channel.

| LED Status | Possibility |
|--|--|
| Power indicator is not lit up or dim while Signal In indicator and signal output are OK. | Power indicator fails. Check and replace it. |
| Both power indicator and signal indicator are not lit up. Also there is not signal output. | Open circuit between transformer and PCB. Check the 9V output from transformer to PCB. |
| Power indicator is OK. Signal indicator is not lit up while signal output is OK. | Signal indicator fails. Check and replace it. |
| Power indicator is OK. Signal indicator is not lit up and there is not signal output. | The 75176 chip on PCB fails. Check and replace it. |

SPECIFICATIONS

WEIGHT & DIMENSIONS

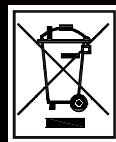
Length 482 mm
 Width 44 mm
 Height 145 mm
 Weight 3.0kg

POWER

AC Power AC 110V or 230V 50-60Hz
 Fuse F1A / 250V
 Power consumption 6W max.

IMPORTANT INFORMATION!

In order to optimize the recovery and recycling of the materials that old appliances contain and reduce the impact on human health and the environment, ensure that this product is recycled at the end of its life.



Thank you for purchasing of the DMX SPLITTER 8R. The DMX Splitter is a DMX signal amplifier and distributor. It allows you to split a DMX signal into four separate signal outputs. Also it boost your DMX signal for extensive cable runs between DMX lighting fixtures. To optimize the performance of this product, please read the user manual carefully before use.

What is included

The following items are included in the box:

- 1pc DMX SPLITTER 8R
- 1pc Power cord
- 1pc User Manual

Carefully unpack the carton, check the contents to ensure that all parts are present, and have been received in good condition. Contact your supplier immediately and retain packing material for inspection if any part is missing or damaged.

Safety Instruction

WARNING!!! To reduce the risk of fire, electric shock, or injury to persons, follow these important safety instructions:

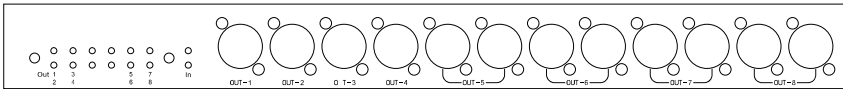
- This product is intended for indoor use only!
- Always turn off, unplug power and allow fixture to cool before servicing.
- Ensure that fixture is properly grounded.
- Please keep this User Guide for future consultation.
- To prevent risk of fire or shock, do not expose fixture to rain or moisture.
- The unit must be installed in a location with adequate ventilation. Be sure no ventilation slots are blocked.
- Make sure power cord is never crimped or damaged.
- Do not remove the top cover under any conditions. There are no user serviceable parts inside.
- Disconnect the unit's main power when left unused for long periods of time.
- Never connect this unit to a dimmer pack.
- Never operate this unit when it's cover is removed.

Features

- DMX signal amplifier and distributor
- 1 input to 8 outputs plus DMX Thru
- 100% Electric isolation between input & output
- 100% Electric isolation between output & output
- DMX line can be terminated by a switch
- 3pin & 5pin DMX input
- 3pin & 5pin DMX thru.
- 1-4 outputs: 3pin DMX out
- 5-8 outputs: 3pin & 5pin DMX out
- Power and signal indicator for each output
- 1U rack mount

Product Overview

Front view



Rear view



Installation

The unit is designed for 1U rack mount.

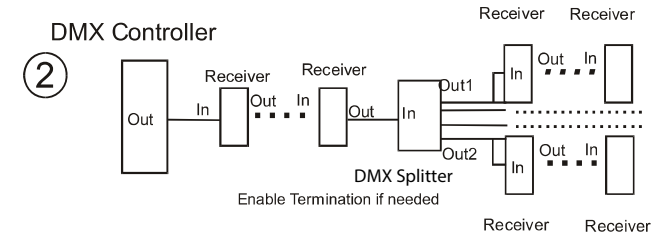
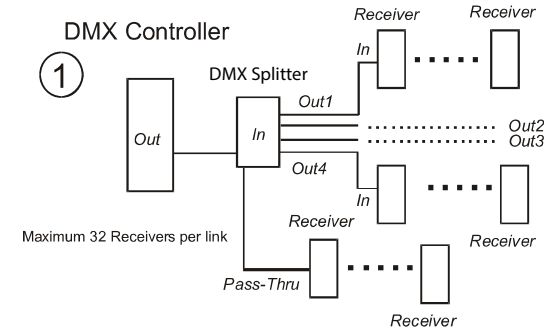
AC Power

The unit is designed to work on AC 230V 50Hz. Before applying power to a unit, make sure that the unit's input voltage matches the power source voltage.

WARNING: All units must be connected to circuits with a suitable Earth Ground.

Connection Diagrams

1. Connect DMX Out from your DMX controller to DMX In of DMX SPLITTER 8R.
2. Use the 8 outputs to send DMX signal to your DMX fixtures.
3. A DMX splitter unit is required when DMX cable run is more than 100 meters or there are more than 32pcs DMX device in a line.



WARNING: disconnect mains supply before making any type of connection.